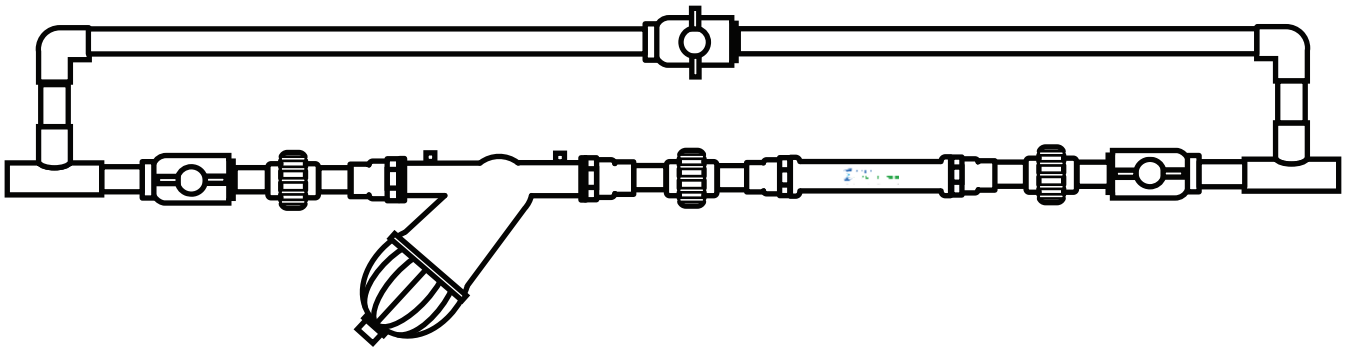


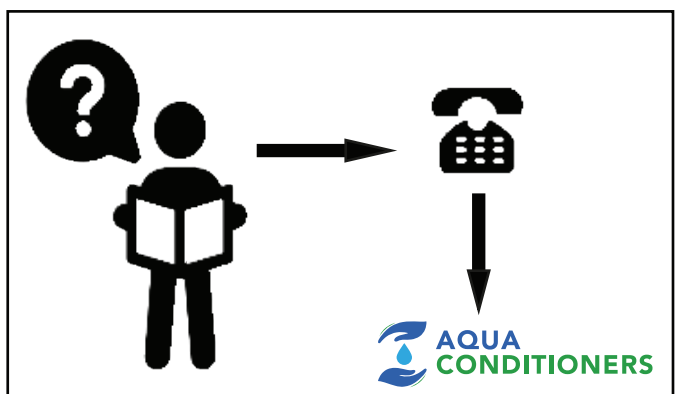
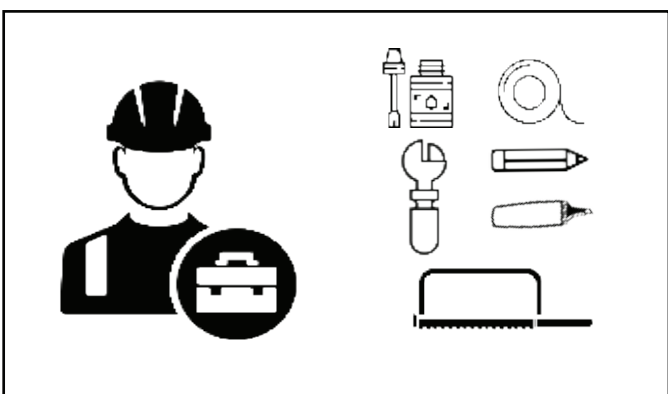
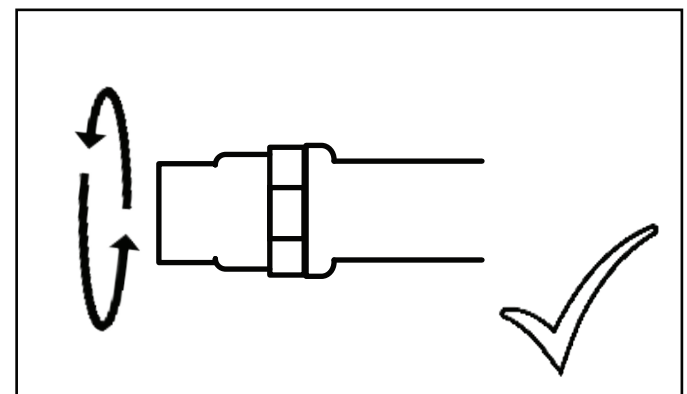
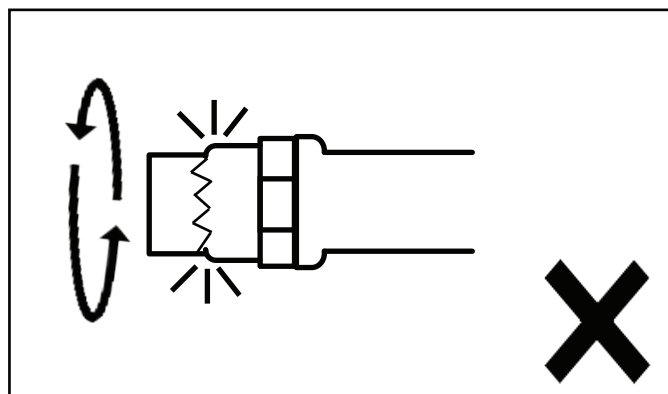
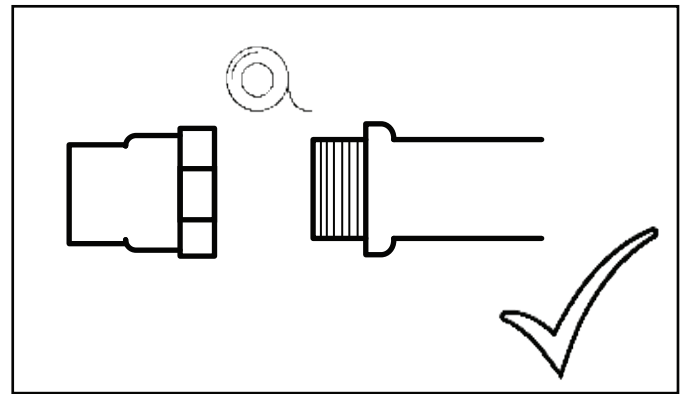
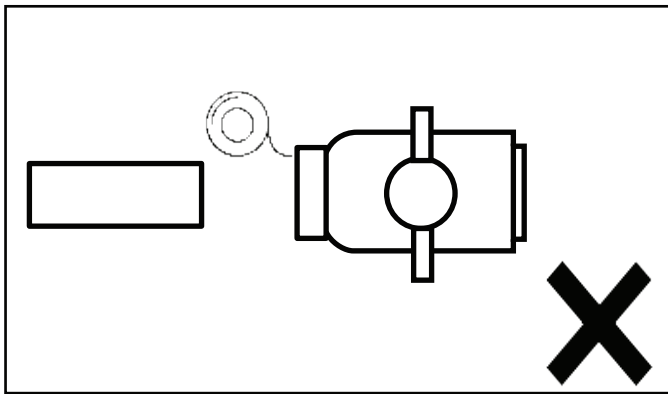
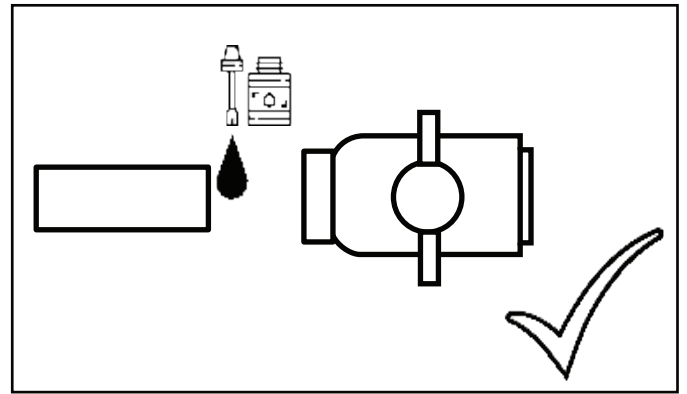
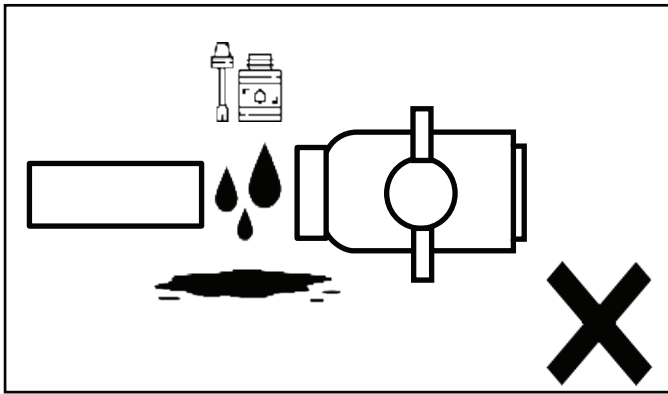


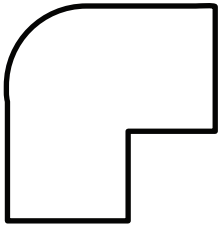
# AQUA CONDITIONERS

INNOVATIVE SOLUTIONS TO WATER PROBLEMS

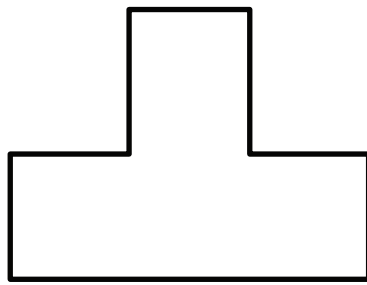


# Installation Guide

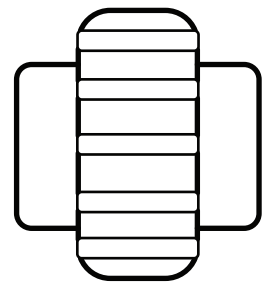




Elbow x 2



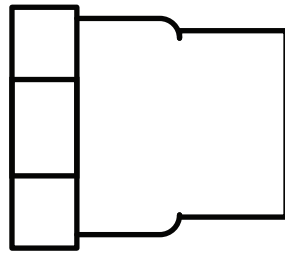
Tee-Junction x 2



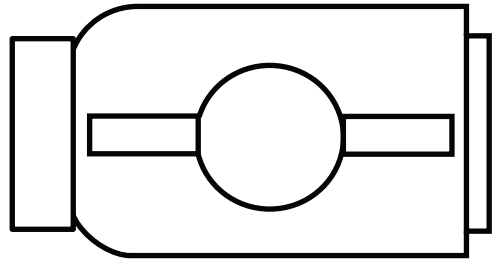
Union x 2



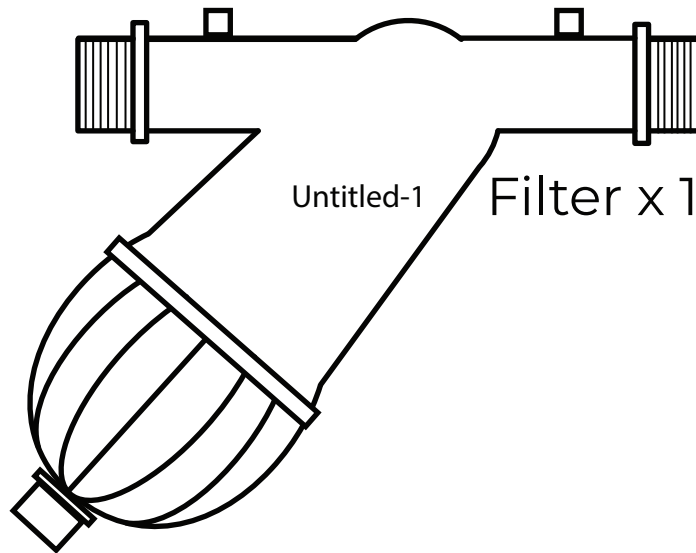
Aqua Conditioner x 1



FTA x 4



Ball Valve x 3



Untitled-1 Filter x 1

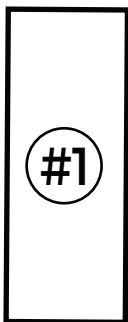


Teflon Tape x 1



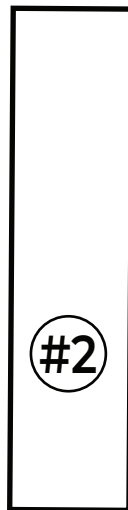
PVC Glue x 1

PVC Pipe #1 (50mm)



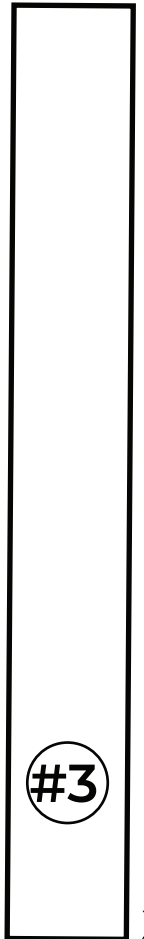
x 8

PVC Pipe #2 (80mm)



x 2

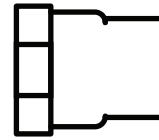
PVC Pipe #3 (255mm)



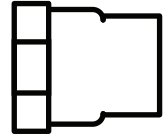
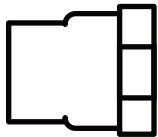
x 2



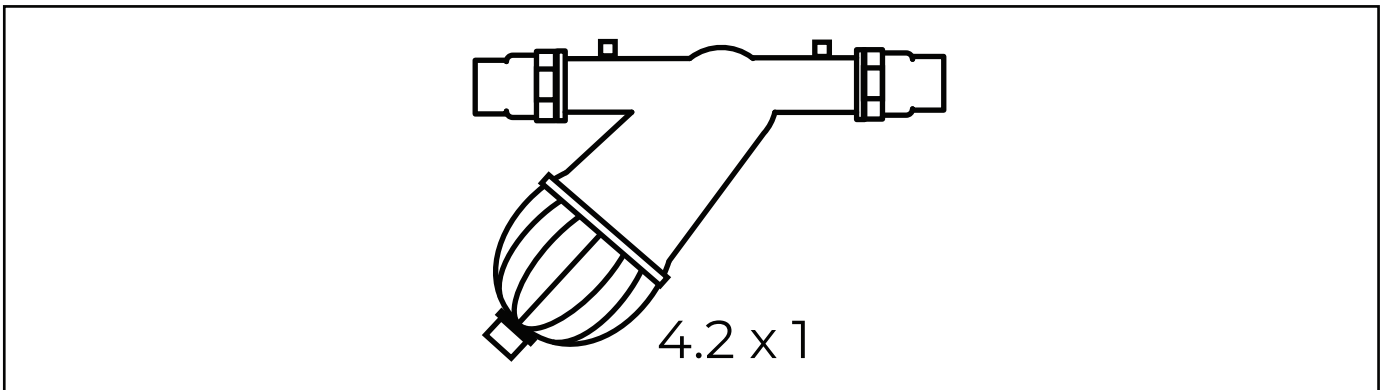
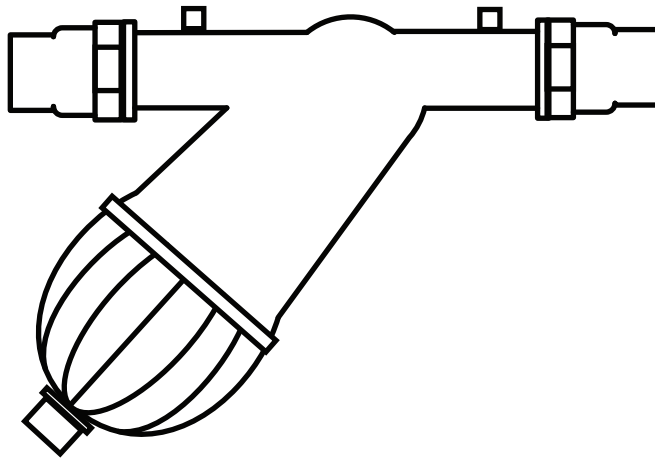
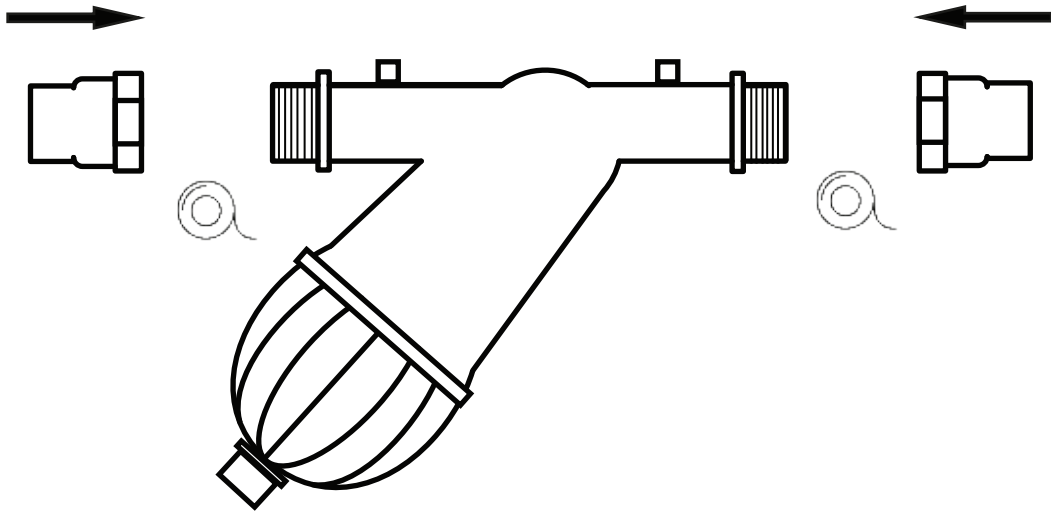
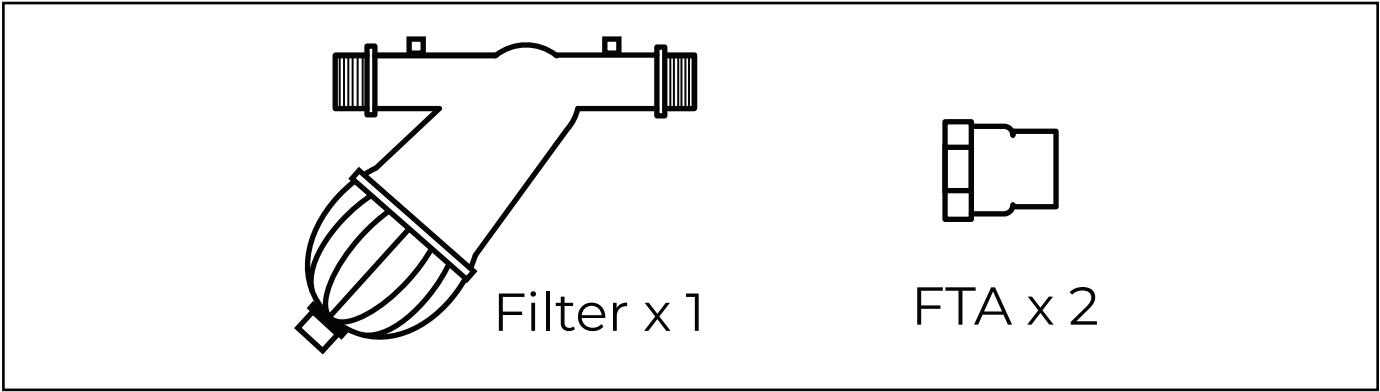
Aqua Conditioner x 1

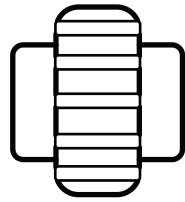


FTA x 2



4.1 x 1





Union x 1

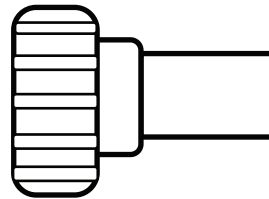
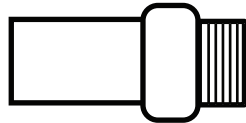
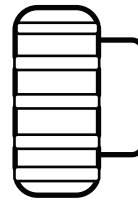


PVC Pipe #1 x 2

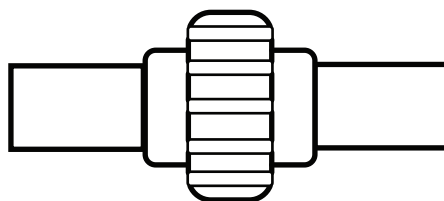
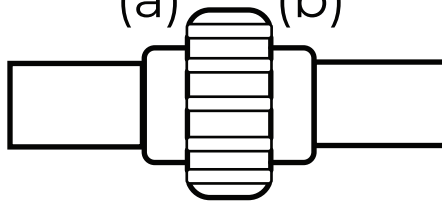


(a)

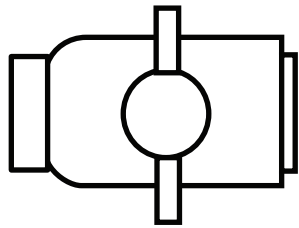
(b)



(a) (b)



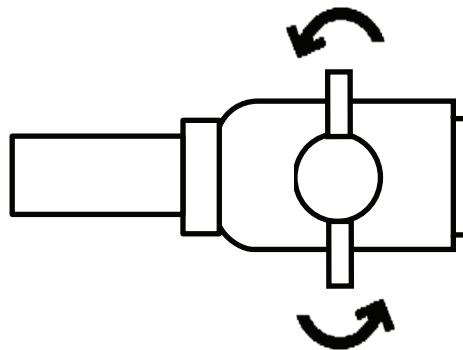
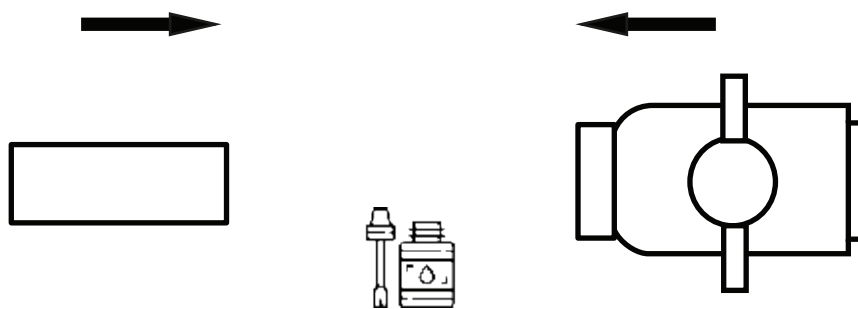
4.3 x 3



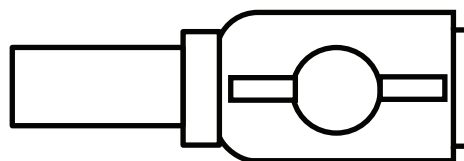
Ball Valve x 1



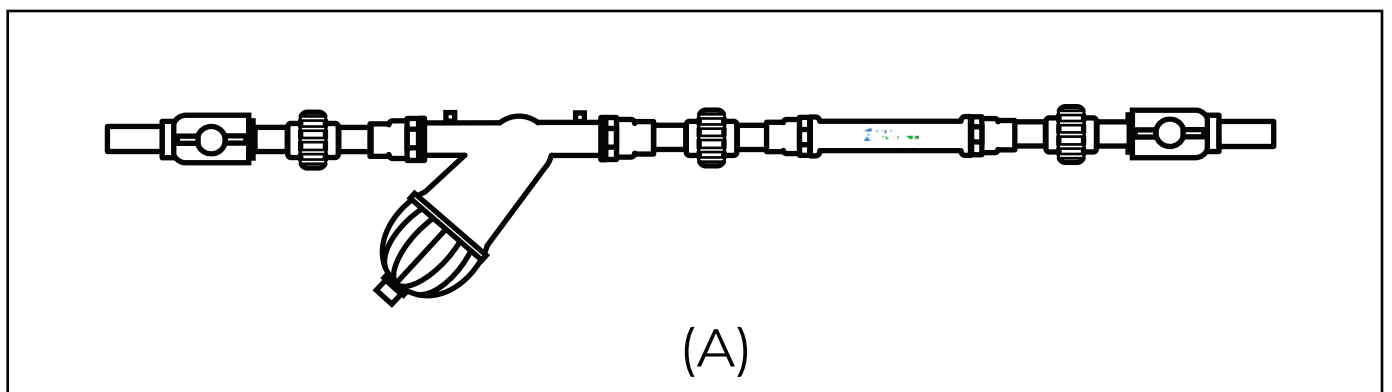
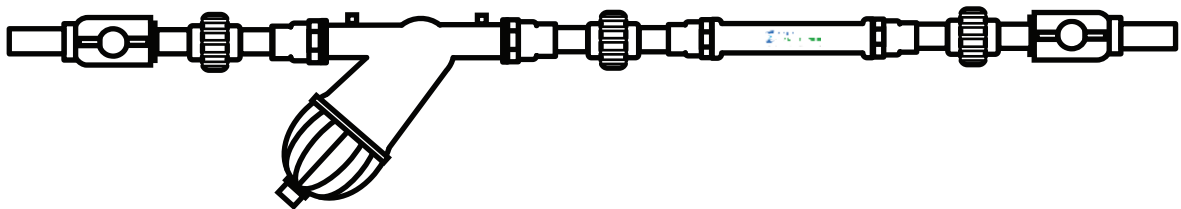
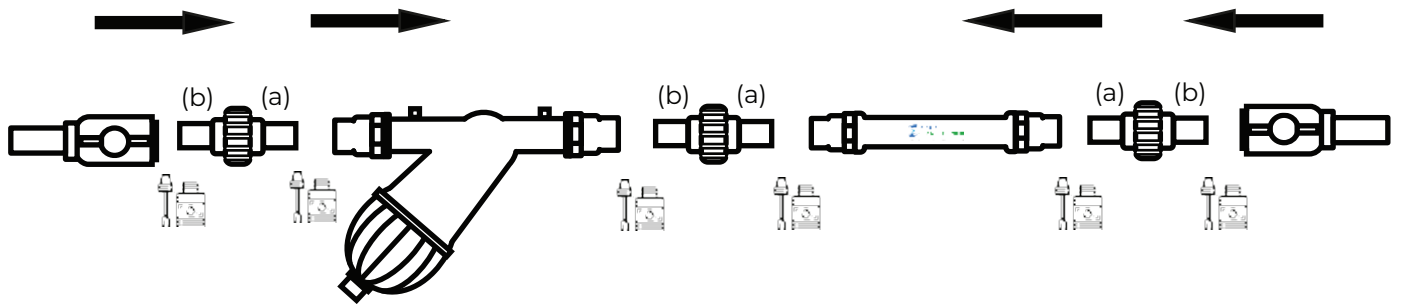
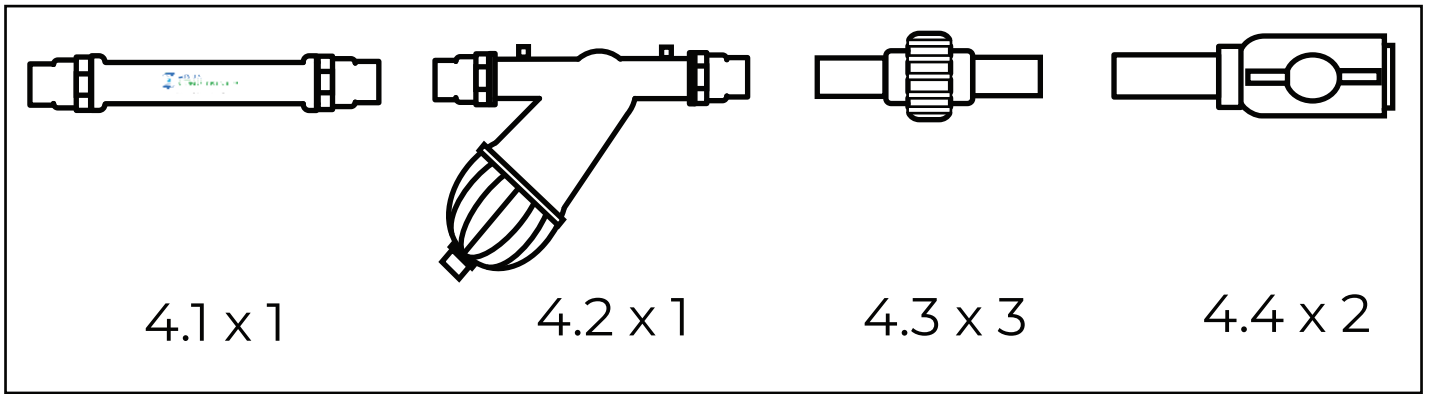
PVC Pipe #1



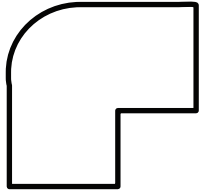
Open



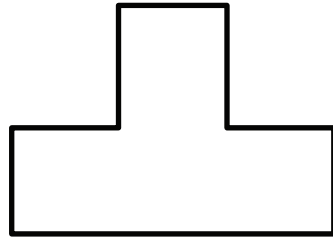
4.4 x 2







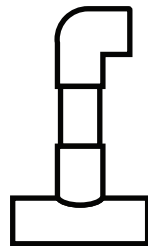
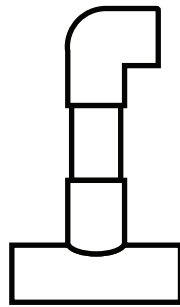
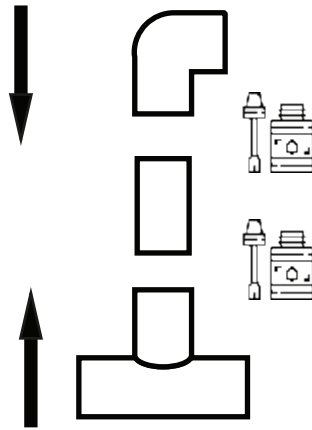
Elbow x 1



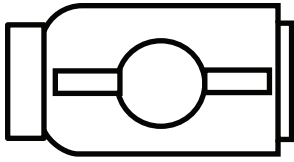
Tee-Junction x 1



PVC Pipe #2 x 1



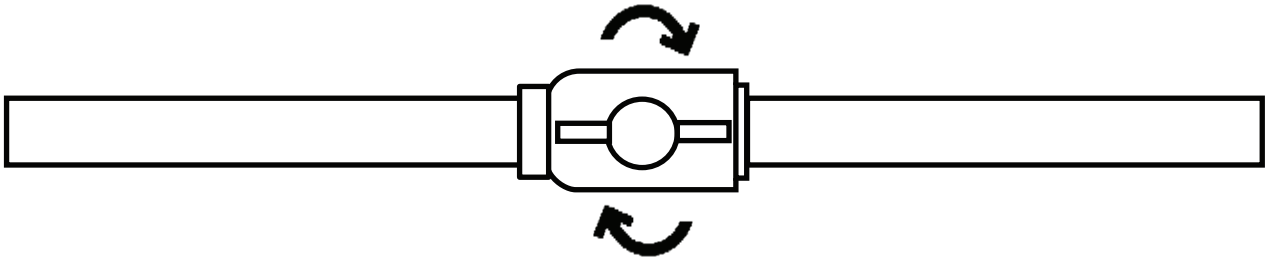
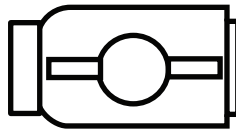
(B) x 2



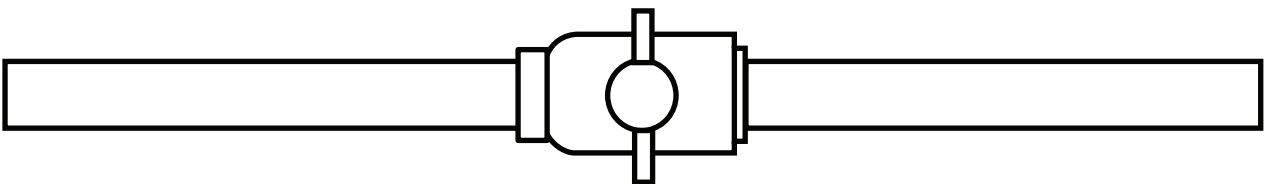
Ball Valve x 1



PVC Pipe **#3** x 2



Close



(C)

