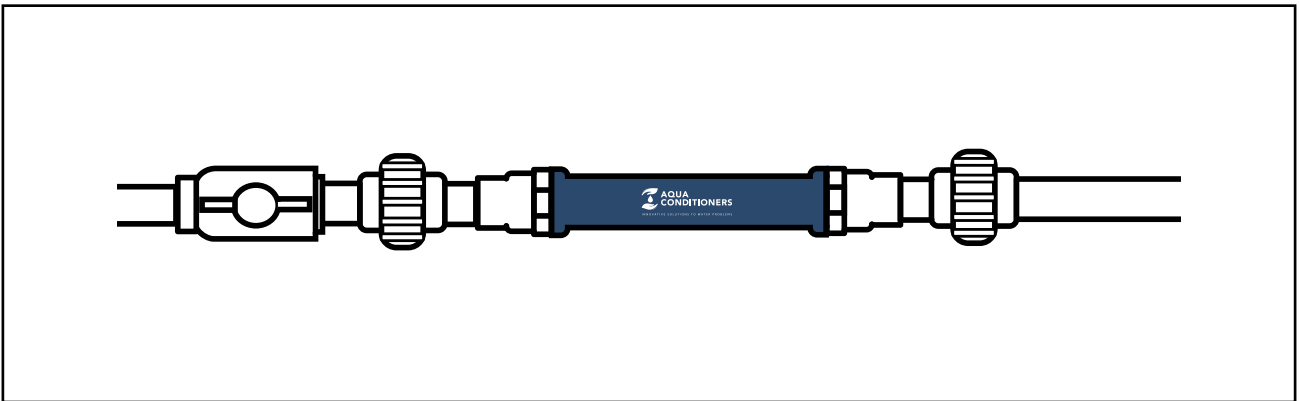


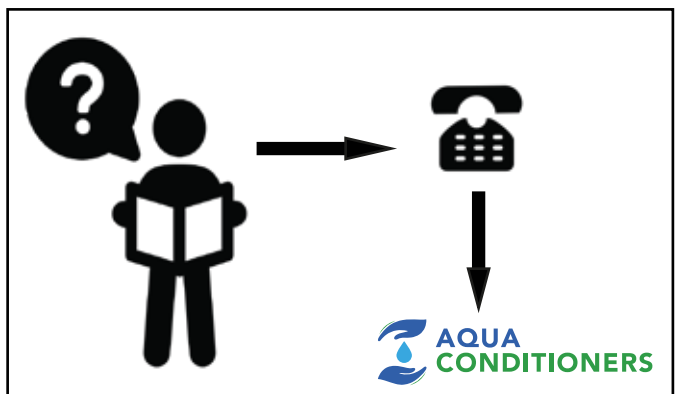
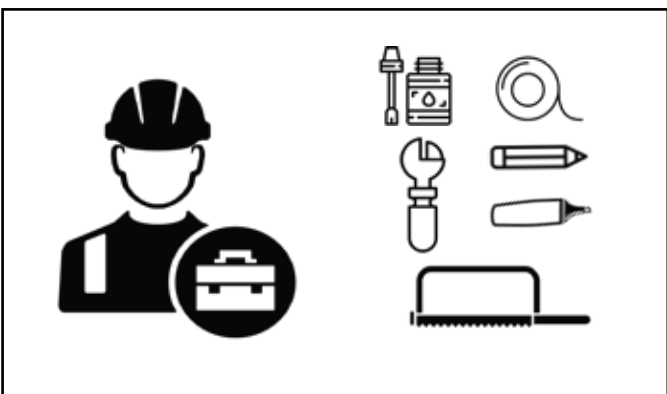
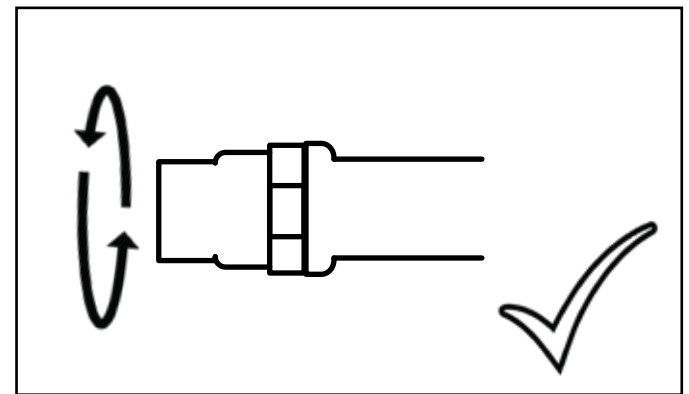
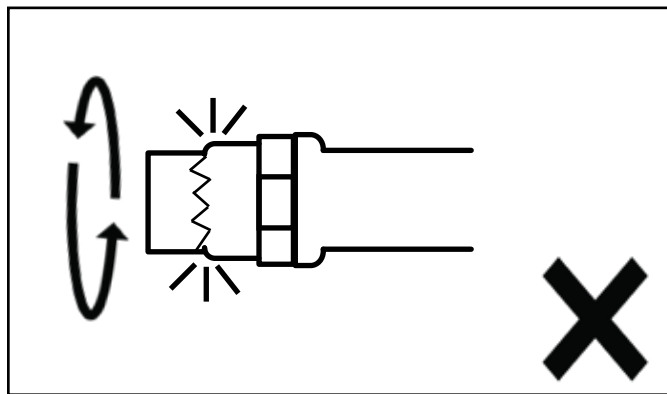
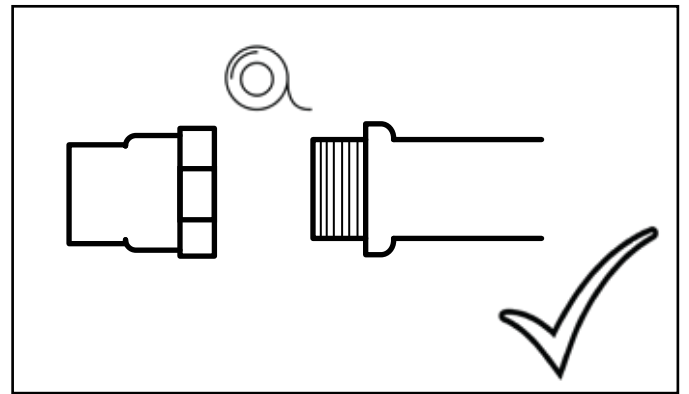
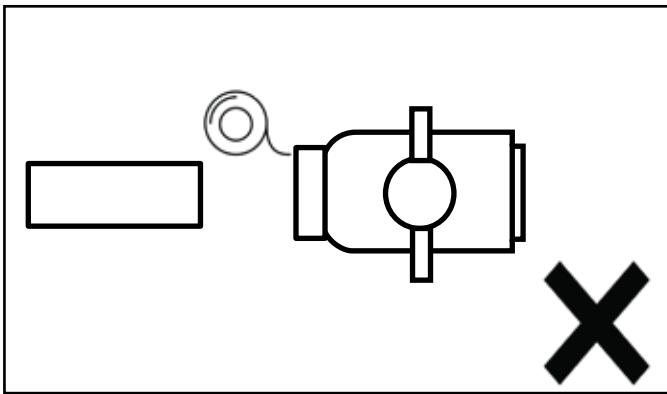
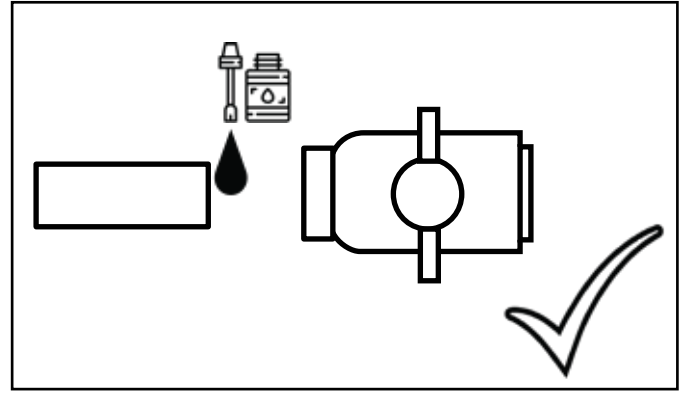
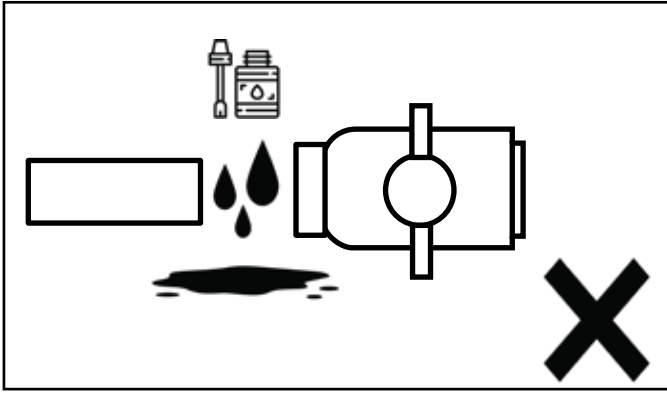


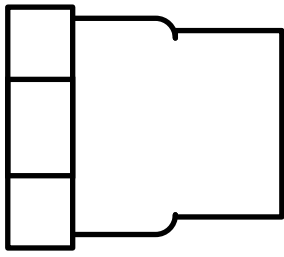
AQUA CONDITIONERS

INNOVATIVE SOLUTIONS TO WATER PROBLEMS

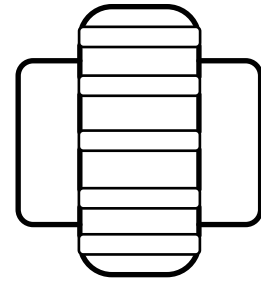


Installation Guide

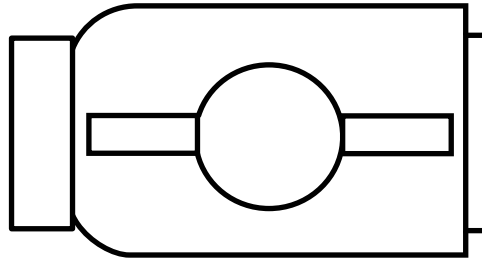




FTA x 2

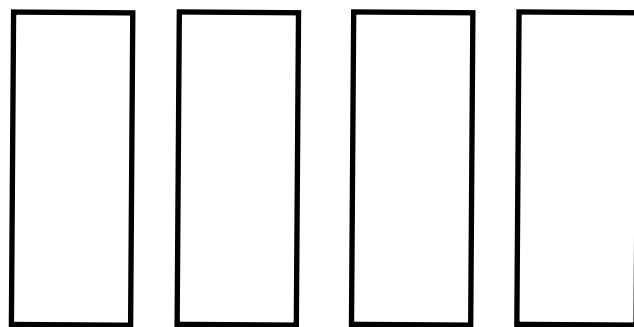


Union x 2



Ball Valve x 1

Aqua Conditioner x 1



PVC Pipes x 4



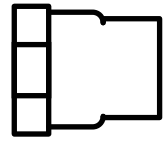
PVC Glue x 1



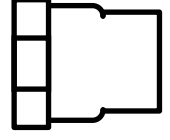
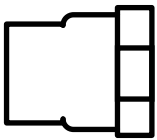
Teflon Tape x 1



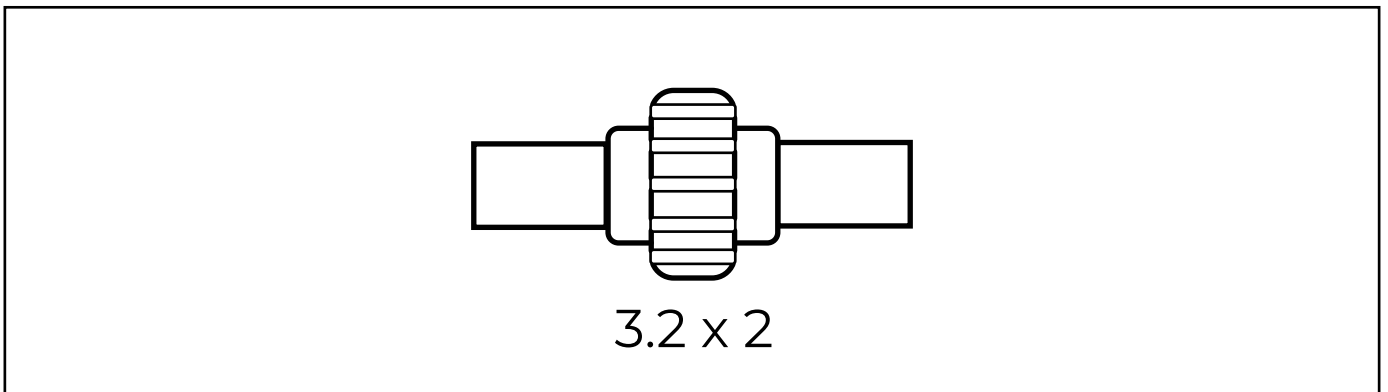
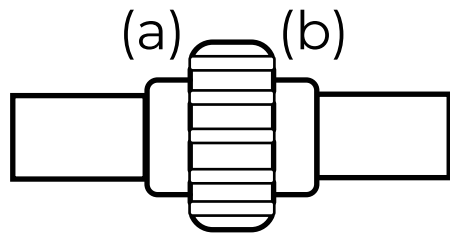
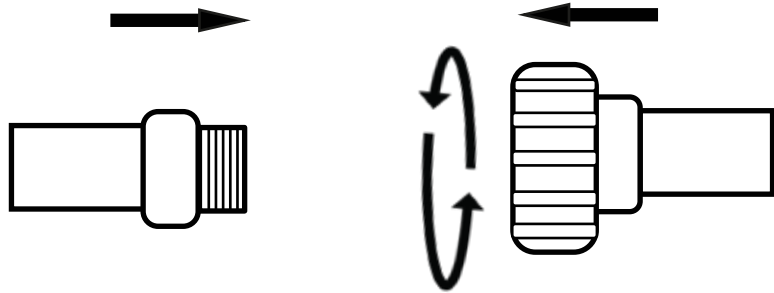
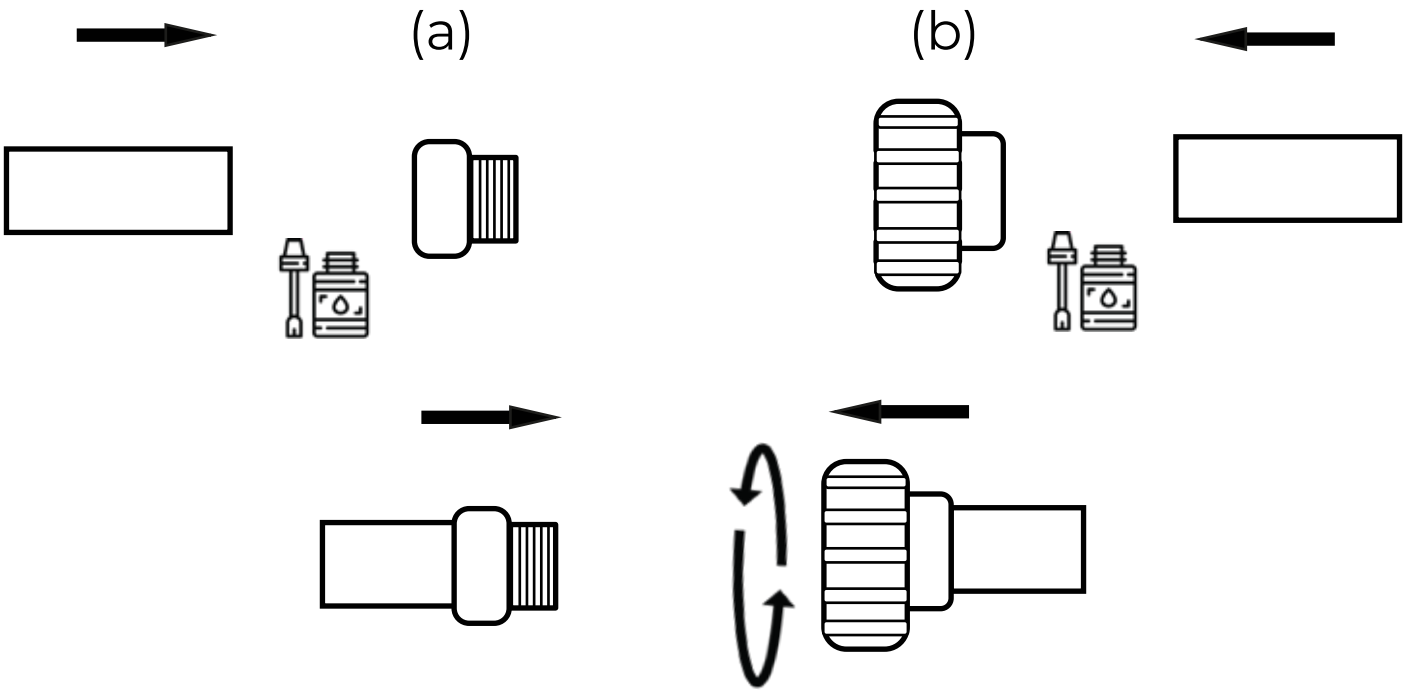
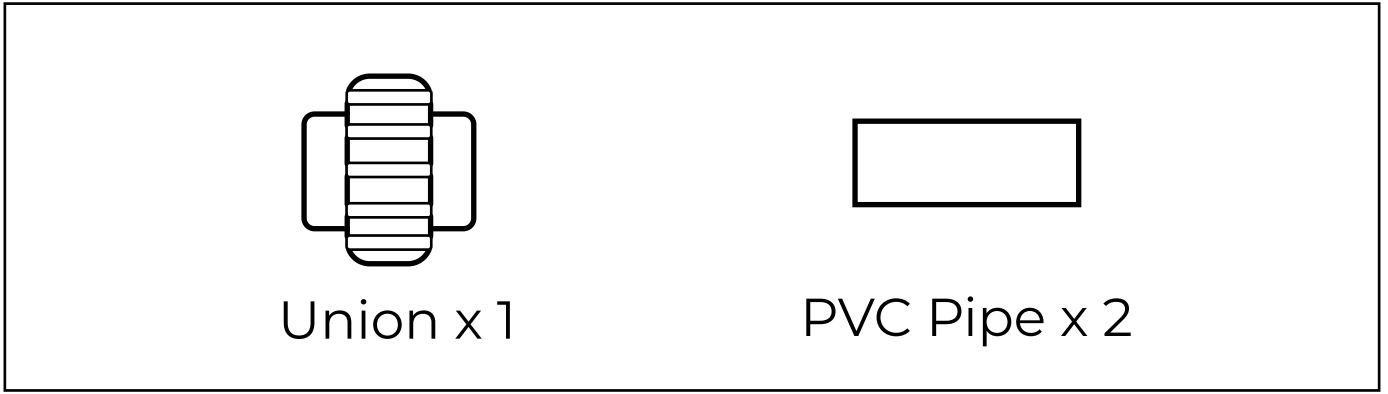
Aqua Conditioner x 1



FTA x 2

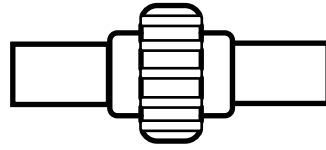


3.1 x 1

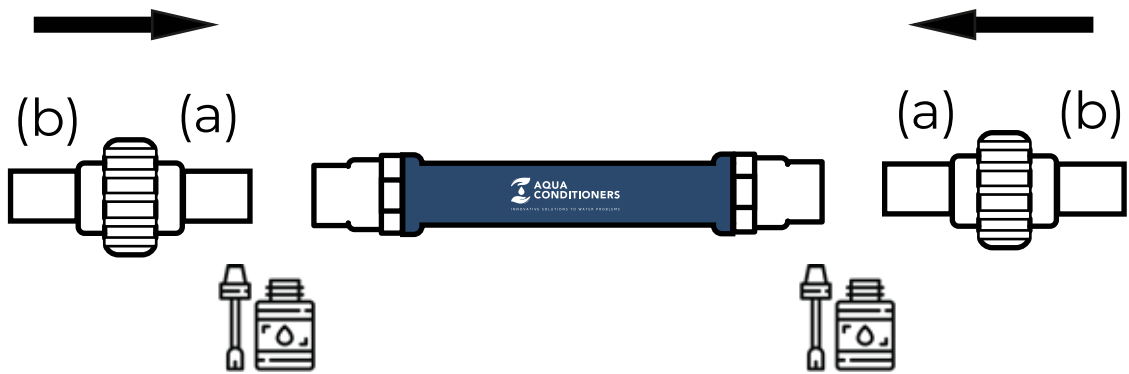




3.1 x 1



3.2 x 2



(A)



Ball Valve x 1



(A)

